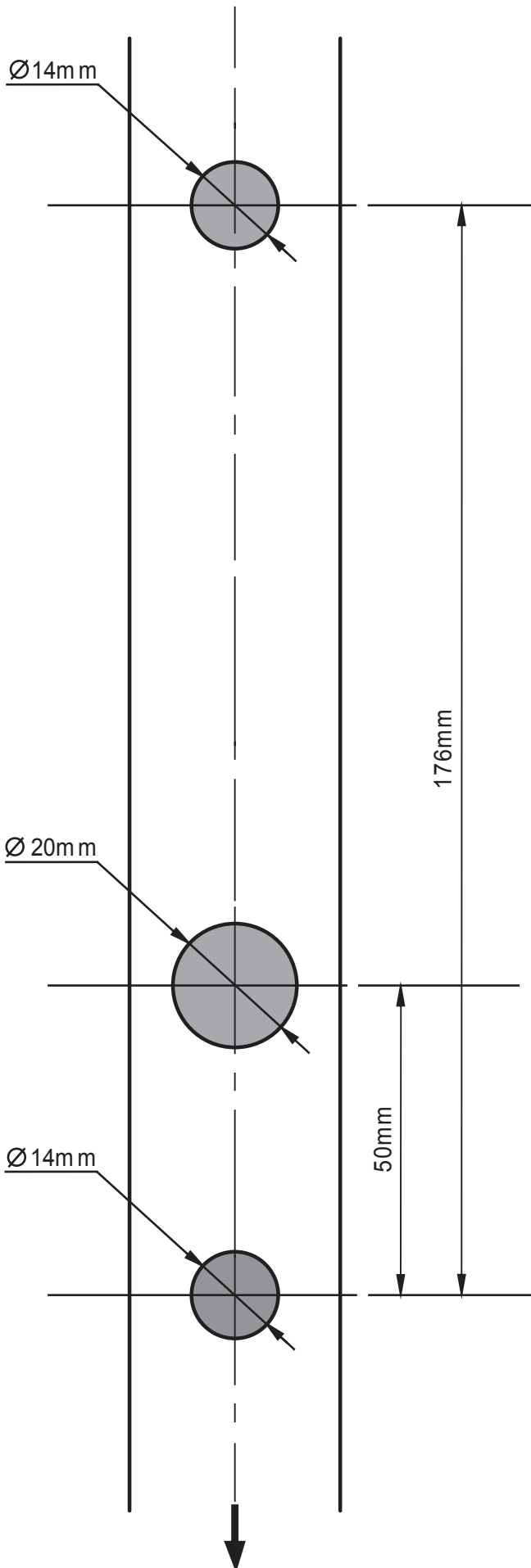
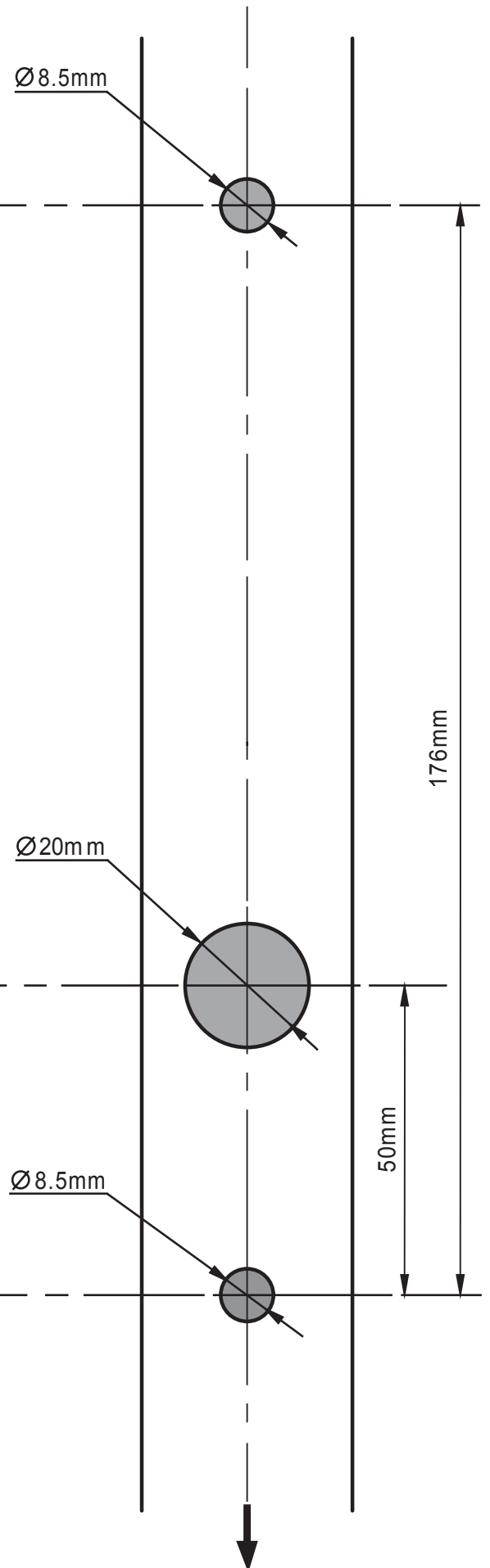


# Borglocks

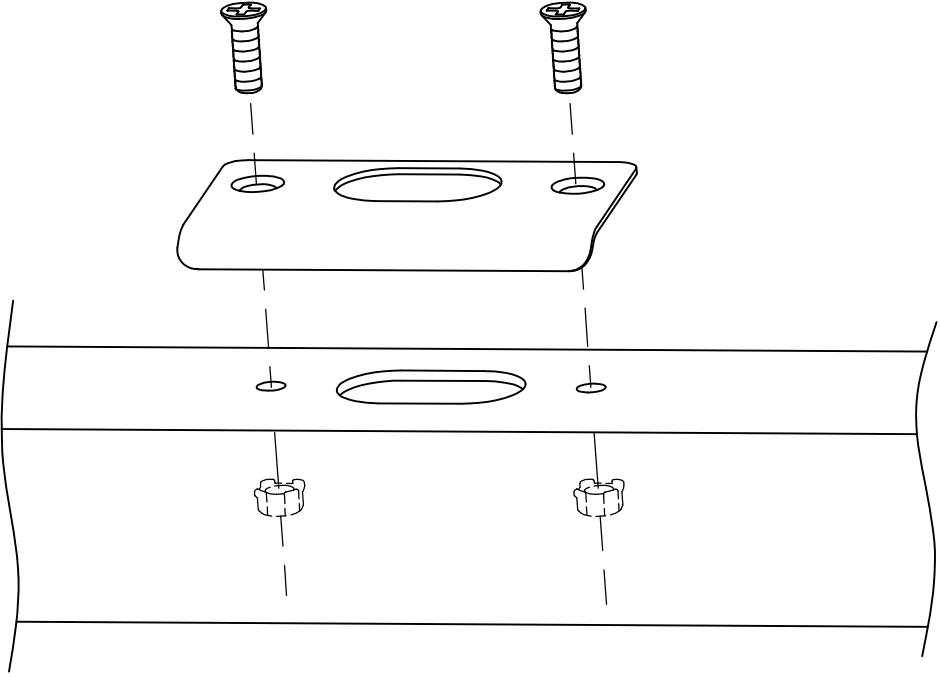
Template (Outside)



Template (Inside)



FITTING OF STRIKE PLATE



CUT ALONG THE DOTTED LINE

